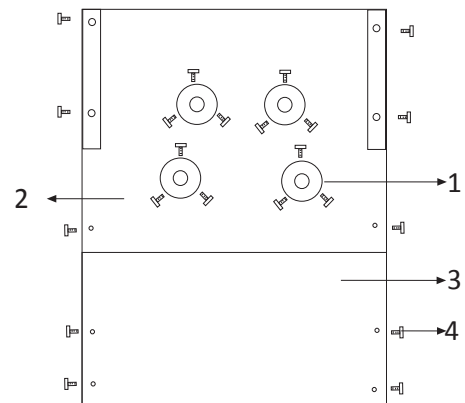
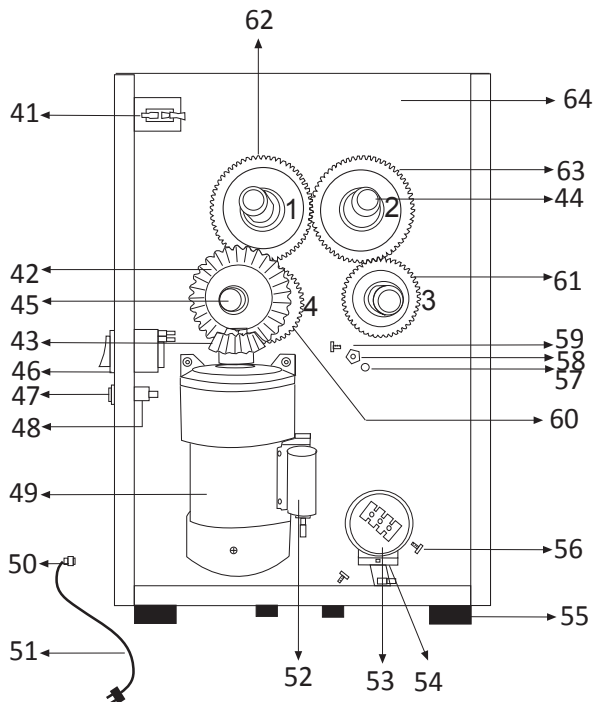
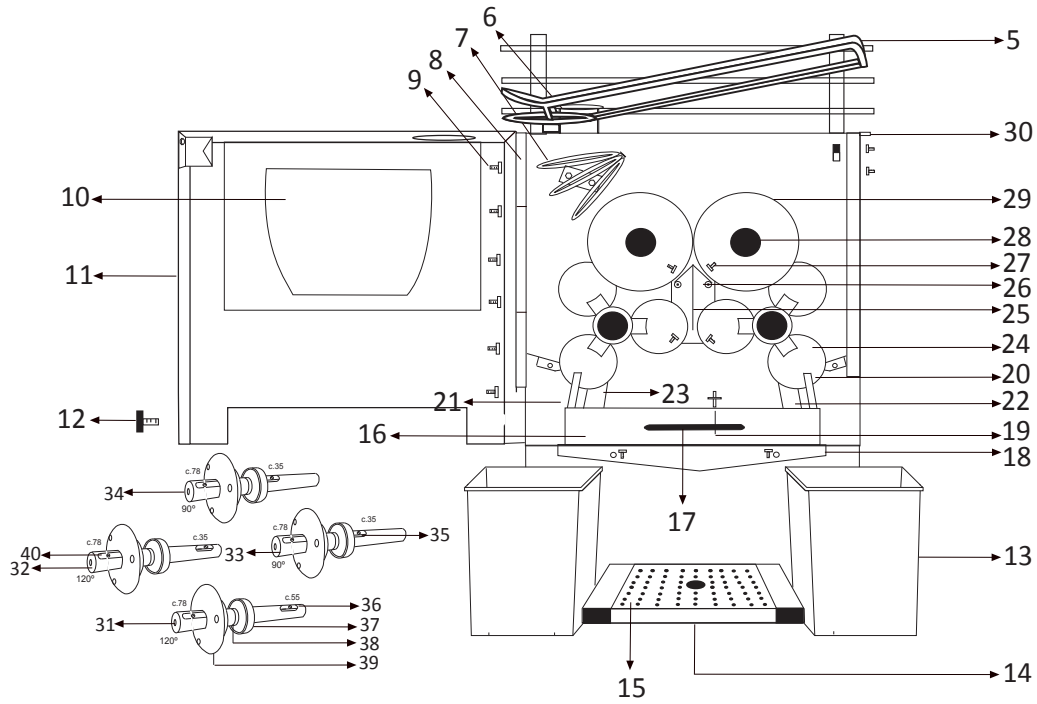


Frucosol F-50 Automatic Juicer Diagram



Frucosol F-50 Automatic Juicer Diagram

REF	NO	Frucosol F50 Automatic Juicer Spare Parts	Price
f50-001	01	Black spacer	£10.00
f50-002	02	Top case back	POA
f50-003	03	Under case back	POA
f50-004	04	Screw M5*10	£1.00
f50-005	05	Storage basket 4 kg	£100.00
f50-005g		Storage basket 10 kg	£120.00
f50-006	06	Ramp C	£80.00
f50-007	07	Ramp B	£60.00
f50-008	08	Hinge	£72.00
f50-009	09	Screw M4*10	£1.00
f50-010	10	Door glass	£32.00
f50-011	11	Front cover	£300.00
f50-011X		Front cover X	£300.00
f50-011X1		Lug X	£14.00
f50-012	12	Black screw	£8.00
f50-013	13	Plastic cube	£14.00
f50-013i		Inox cube	£90.00
f50-014	14	Tray for glasses	£40.00
f50-015	15	Grating for glasses	£50.00
f50-016	16	Filter	£72.00
f50-017	17	Filter shooter	£16.00
f50-018	18	Filter funnel	£150.00
f50-019	19	Bottom M4	£2.00
f50-020	20	Peel extractor R	£30.00
f50-021	21	Peel extractor L	£30.00
f50-022	22	Support extractor R	£24.00
f50-023	23	Support extractor I	£24.00
f50-024	24	Squeezer ball	£64.00
f50-025	25	Support cutting blade	£40.00
f50-026	26	Cutting blade	£72.00
f50-027	27	Screw M5*10	£1.00
f50-028	28	Yellow screw	£8.00
f50-029	29	Hollow item	£64.00
f50-030	30	Support front cover	£12.00
f50-031	31	Squeezer shaft 4	£92.00
f50-031X		Squeezer shaft 4 X	£150.00
f50-032	32	Squeezer shaft 3	£92.00
f50-032X		Squeezer shaft 3 X	£150.00
f50-033	33	Squeezer shaft 1	£92.00
f50-033X		Squeezer shaft 1 X	£150.00
f50-034	34	Squeezer shaft 2	£92.00



Frucosol F-50 Automatic Juicer Diagram

REF	NO	Frucosol F50 Automatic Juicer Spare Parts	Price
f50-034X		Squeezer shaft 2 X	£150.00
f50-035	35	Peg 35'	£30.00
f50-036	36	Peg 55'	£30.00
f50-037	37	Bearing of squeezer shaft	£24.00
f50-038	38	o-ring seal	£3.00
f50-39	39	Yellow space	£14.00
f50-40	40	Peg 78'	£40.00
f50-41	41	Security switch	£14.00
f50-42	42	Conical gear 29	£88.00
f50-43	43	Conical gear 14	£72.00
f50-44	44	Separator large	£12.00
f50-45	45	Separator short	£12.00
f50-46	46	Switch	£8.00
f50-47	47	Fuse holder	£6.00
f50-48	48	Fuse	£1.00
f50-49	49	Motor	£500.00
f50-49X		Motor X	£550.00
f50-049X2		Transformer X	£190.00
f50-049X3		Black Screw	£28.00
f50-049X4		Carbon brush	£14.00
f50-049X5		Iron gear	£72.00
f50-049X6		Cooper gear	£90.00
f50-049X7		Cooper gear X	£72.00
f50-049X8		Output gear X	£72.00
f50-049X9		Pin	£2.00
f50-049X10		Shaft bearing	£32.00
f50-049X11		Breaker	£40.00
f50-049X12		Output shaft X	£80.00
f50-049X13		Motor spacer X	£8.00
f50-049X14		Cooper spacer X (shaft)	£48.00
f50-049X15		Circlip X	£6.00
f50-50	50	Network cable cover	£12.00
f50-51	51	network cable	£24.00
f50-52	52	Monitor capacitor	£36.00
f50-53	53	Junction box	POA
f50-54	54	Support junction box	POA
f50-55	55	Leg	£8.00
f50-56	56	Screw M5* 10	£1.00

Prices Plus VAT & Delivery



