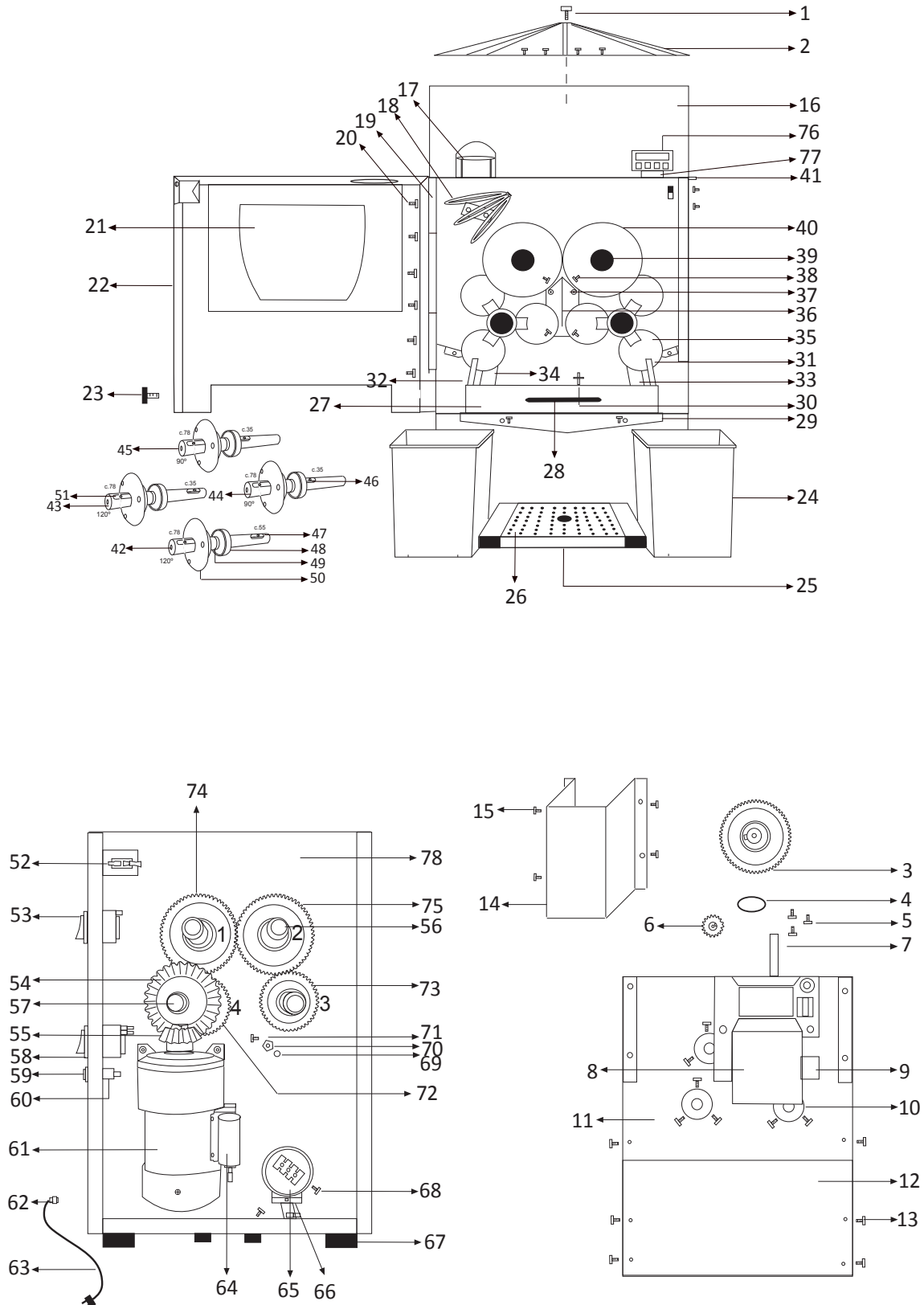


## Frucosol F-50 AC Automatic Juicer Diagram



## Frucosol F-50AC Automatic Juicer Diagram

REF	NO	Frucosol F50AC Automatic Juicer Spare Parts	Price
f50ac-001	1	Black screw	£8.00
f50ac-002	2	Turntable	£250.00
f50ac-003	3	Tooth gearing 60	£52.00
f50ac-004	4	Black cut spacer	£10.00
f50ac-005	5	Screw M5*8	£1.00
f50ac-006	6	Inox gearing 18	£64.00
f50ac-007	7	Feeder shaft with peg	£64.00
f50ac-008	8	Feeder motor	£500.00
f50ac-009	9	Feeder capacitor	£36.00
f50ac-010	10	Black spacer	£8.00
f50ac-011	11	Top case back	POA
f50ac-012	12	Under case back	POA
f50ac-013	13	Screw M5*10	£1.00
f50ac-014	14	Feeder motor cover	£74.00
f50ac-015	15	Screw M5*10	£1.00
f50ac-016	16	Feeder	£1,500.00
f50ac-017	17	Ramp A	£60.00
f50ac-018	18	Ramp B	£60.00
f50ac-019	19	Hinge	£72.00
f50ac-020	20	Screw M4*10	£1.00
f50ac-021	21	Door glass	£32.00
f50ac-022	22	Front cover	£300.00
f50ac-023	23	Black screw	£8.00
f50ac-024	24	Plastic cube	£14.00
		Inox cube	£90.00
f50ac-025	25	Tray for glasses	£40.00
f50ac-026	26	Grating for glasses	£50.00
f50ac-027	27	Filter	£72.00
f50ac-028	28	Filter shooter	£16.00
f50ac-029	29	Filter funnel	£150.00
f50ac-030	30	Bottom M4	£2.00
f50ac-031	31	Peel extractor R	£30.00
f50ac-032	32	Peel extractor L	£30.00
f50ac-033	33	Support extractor R	£24.00
f50ac-034	34	Support extractor L	£24.00
f50ac-035	35	Squeezer ball	£64.00
f50ac-036	36	Support cutting blade	£40.00
f50ac-037	37	Cutting blade	£72.00
f50ac-038	38	Screw M5*10	£1.00
f50ac-039	39	Yellow screw	£8.00
f50ac-040	40	Hollow item	£64.00
f50ac-041	41	Support front cover	£12.00
f50ac-042	42	Squeezer shaft 4	£92.00
f50ac-043	43	Squeezer shaft 3	£92.00
f50ac-044	44	Squeezer shaft 1	£92.00
f50ac-045	45	Squeezer shaft 2	£92.00
f50ac-046	46	Peg 35'	£30.00



## Frucosol F-50AC Automatic Juicer Diagram

REF	NO	Frucosol F50AC Automatic Juicer Spare Parts	Price
f50ac-047	47	Peg 55'	£30.00
f50ac-048	48	Bearing of squeezer shaft	£24.00
f50ac-049	49	O-ring seal	£3.00
f50ac-050	50	Yellow spacer	£14.00
f50ac-051	51	Peg 78'	£40.00
f50ac-052	52	Security switch	£14.00
f50ac-053	53	Feeder's switch	£8.00
f50ac-054	54	Conical gear 29	£88.00
f50ac-055	55	Conical gear 14	£76.00
f50ac-056	56	Separator large	£12.00
f50ac-057	57	Separator short	£12.00
f50ac-058	58	Switch	£8.00
f50ac-059	59	Fuse holder	£6.00
f50ac-060	60	Fuse	£1.00
f50ac-061	61	Motor	£500.00
f50ac-062	62	Network cable cover	£12.00
f50ac-063	63	Network cable	£24.00
f50ac-064	64	Motor capacitor	£36.00
f50ac-065	65	Junction box	POA
f50ac-066	66	Support junction box	POA
f50ac-067	67	Leg	£8.00
f50ac-068	68	Screw M5*10	£1.00
f50ac-069	69	Washer M8	£1.20
f50ac-070	70	Nut M8	£1.20
f50ac-071	71	Screw M8*25	£1.00
f50ac-072	72	Tooth gearing 45-4	£48.00
f50ac-073	73	Tooth gearing 45-3	£48.00
f50ac-074	74	Tooth gearing 60-1	£52.00
f50ac-075	75	Tooth gearing 60-2	£52.00
f50ac-076	76	Counter	£300.00
f50ac-077	77	Counter support	POA
f50ac-078	78	Machine's body	POA

Prices Plus VAT & Delivery

