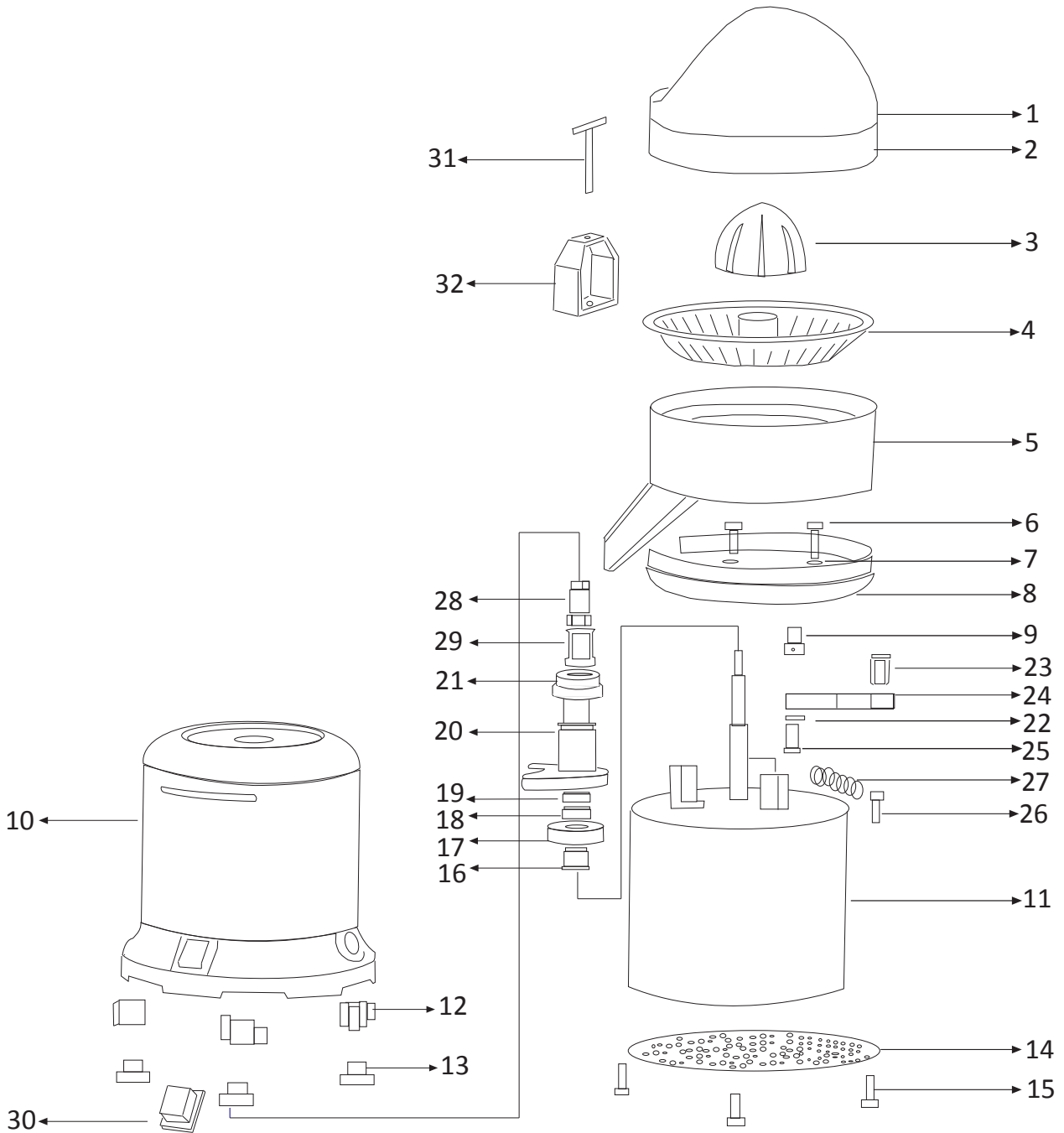


Frucosol F-10 Manual Juicer Diagram



Frucosol F-10 Manual Juicer Diagram

| REF | NO | Frucosol F10 Manual Juicer Spare Parts | Price |
|----------|----|--|--------|
| f10-001 | 01 | Upper round lid | £96.00 |
| f10-002 | 02 | Upper lid rubber | £12.00 |
| f10-003 | 03 | Squeezer head | £38.00 |
| f10-004 | 04 | Filter | £64.00 |
| f10-005 | 05 | Hopper | POA |
| f10-006 | 06 | Screw M6*12 | £2.00 |
| f10-007 | 07 | Washer M6 | £1.00 |
| f10-008 | 08 | Upper plate | POA |
| f10-009 | 09 | Rubber foot | £1.20 |
| f10-010 | 10 | Motor cover | POA |
| f10-011 | 11 | Motor | POA |
| f10-012 | 12 | Foot | £8.00 |
| f10-013 | 13 | Rubber fot | £14.00 |
| f10-014 | 14 | Protection net | POA |
| f10-015 | 15 | Screw M4*6 | £1.00 |
| f10-016 | 16 | Eccentric sleeve | POA |
| f10-017 | 17 | Bearing 104 | POA |
| f10-018 | 18 | Bearing 10901 | POA |
| f10-019 | 19 | Bearing 10900 | POA |
| f10-020 | 20 | Arm | POA |
| f10-021 | 21 | Joint | POA |
| f10-022 | 22 | Washer M6*8 | £1.00 |
| f10-023 | 23 | Screw | £2.00 |
| f10-024 | 24 | Vibrator arm | POA |
| f10-025a | 25 | Closer screw | £2.00 |
| f10-026 | 26 | Pin | POA |
| f10-027 | 27 | Spring | POA |
| f10-028 | 28 | Blocking rivet | £84.00 |
| f10-029 | 29 | Blocking sleeve 48 € | POA |
| f10-030 | 30 | Switch | POA |
| f10-031 | 31 | Disassembly tool | POA |
| f10-032 | 32 | Handle disassembly tool | POA |

Prices Plus VAT & Delivery

