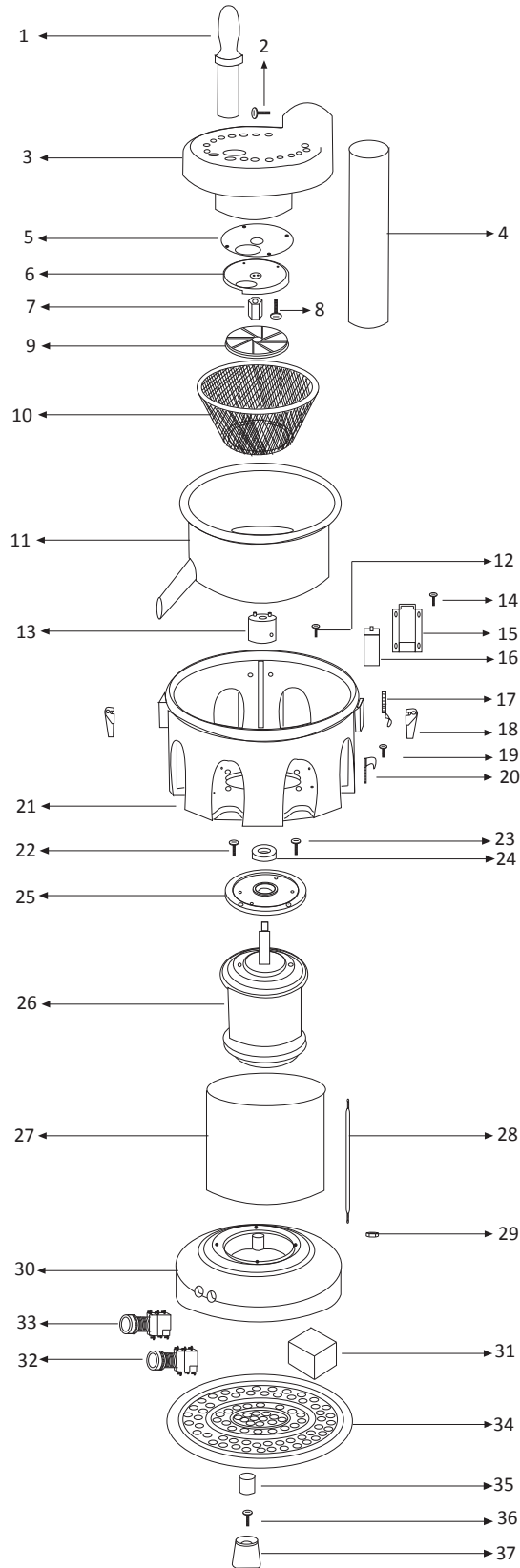


Frucosol F-2000 Juice Extractor Diagram



Frucosol F-2000 Juice Extractor Diagram

REF	NO	Frucosol F-2000 Juice Extractor	Price
f2000-001	1	Feeder tube	£50.00
f2000-002	2	Screw M6*15	£20.00
f2000-003	3	Upper lid	£600.00
f2000-004	4	Waste extractor	£40.00
f2000-005	5	Joint	£28.00
f2000-006	6	Blade of fixed cut	£130.00
f2000-007	7	Fasterner nut	#20.00
		Fasterner nut X	£20.00
f2000-009	8	Screw 20*M5	£1.00
f2000-010	9	Blade of moving cut	£140.00
f2000-011	10	Filter	£260.00
f2000-012	11	Hopper	POA
f2000-013	12	Screw 12*M6	£20.00
f2000-014	13	Shaft connection	£80.00
f2000-015	14	Screw 12*M4	£20.00
f2000-015	15	Switch cover	POA
f2000-016	16	Security switch	£72.00
f2000-017	17	Fasteener clip	£8.00
f2000-018	18	Clip cover	£20.00
f2000-019	19	Screw 12*M	£20.00
f2000-020	20	Clip hook	POA
f2000-021	21	Upper cover	POA
f2000-022	22	Screw 20*M6	£20.00
f2000-023	23	Screw 20*M8	£20.00
f2000-024	24	Rubber sealing ring	£44.00
f2000-025	25	Ring	POA
f2000-026	26	Motor	£710.00
f2000-027	27	Motor cover	POA
f2000-028	28	Connection of coiled rod	POA
f2000-029	29	Nut M6	£1.20
f2000-030	30	Base	POA
f2000-031	31	Contactore	POA
f2000-032	32	Green switch	£50.00
f2000-033	33	Red switch	£50.00
f2000-034	34	Protection net	£32.00
f2000-035	35	Foot	£16.00
f2000-036	36	Screw 25*M6	£2.00
f2000-037	37	Rubber food	£12.00

