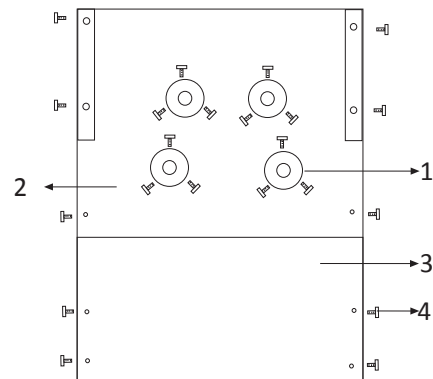
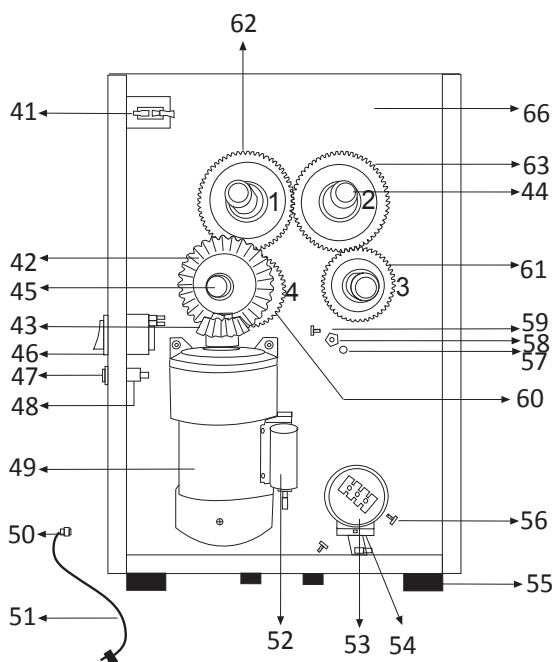
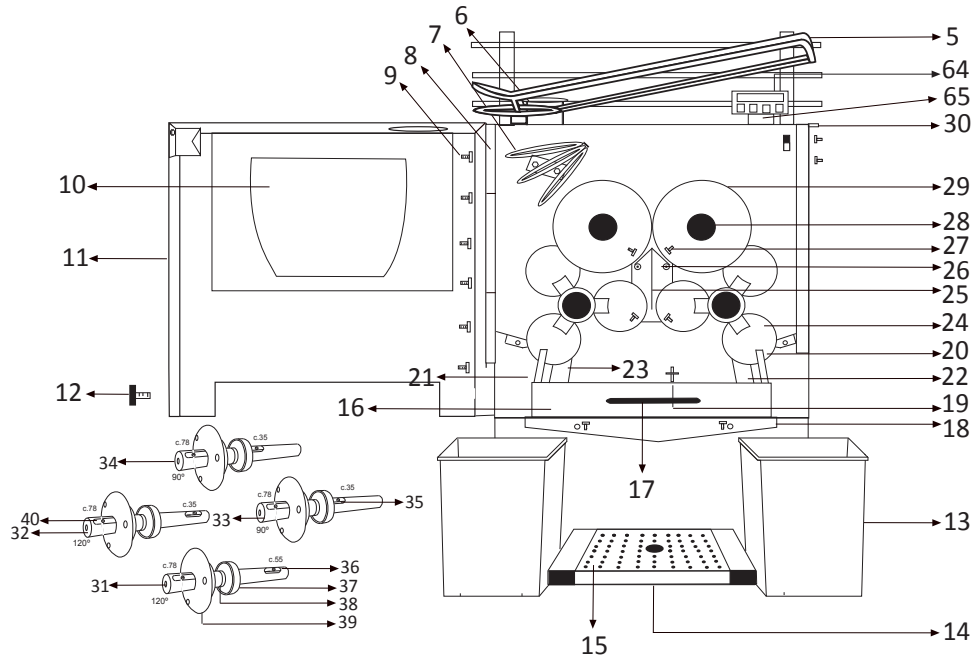


Frucosol F-50 C Automatic Juicer Diagram



Frucosol F-50 C Automatic Juicer Diagram

REF	NO	Frucosol F50 C Automatic Juicer Spare Parts	Price
f50c-001	1	Black spacer	£11.60
f50c-002	2	Top case back	£150.20
f50c-003	3	Under case back	£85.40
f50c-004	4	Screw M5*10	£1.20
f50c-005	5	Storage basket 4kg	£115.60
		Storage basket 10kg	£138.60
f50c-006	6	Ramp C	£92.40
f50c-007	7	Ramp B	£69.40
f50c-008	8	Hinge	£83.20
f50c-009	9	Screw M4*10	£1.20
f50c-010	10	Door glass	£37.00
f50c-011	11	Front cover	£346.60
f50c-012	12	Black screw	£9.20
f50c-013	13	Plastic cube	£16.20
		Inox cube	£104.00
f50c-014	14	Tray for glasses	£46.20
f50c-015	15	Grating for glasses	£57.80
f50c-016	16	Filter	£83.20
f50c-017	17	Filter shooter	£18.40
f50c-018	18	Filter funnel	£173.20
f50c-019	19	Bottom M4	£13.80
f50c-020	20	Peel extractor R	£34.60
f50c-021	21	Peel extractor L	£34.60
f50c-022	22	Support extractor R	£27.80
f50c-023	23	Support extractor L	£27.80
f50c-024	24	Squeezer ball	£74.00
f50c-025	25	Support cutting blade	£46.20
f50c-026	26	Cutting blade	£83.20
f50c-027	27	Screw M5*10	£1.20
f50c-028	28	Yellow screw	£9.20
f50c-029	29	Hollow item	£74.00
f50c-030	30	Support front cover	£13.80
f50c-031	31	Squeezer shaft 4	£106.20
f50c-032	32	Squeezer shaft 3	£106.20
f50c-033	33	Squeezer shaft 1	£106.20
f50c-034	34	Squeezer shaft 2	£106.20
f50c-035	35	Peg 35'	£34.60
f50c-036	36	Peg 55'	£34.60
f50c-037	37	Bearing of squeezer shaft	£27.80
f50c-038	38	O-ring seal	£3.40
f50c-039	39	Yellow spacer	£16.20



Frucosol F-50C Automatic Juicer Diagram

REF	NO	Frucosol F50 C Automatic Juicer Spare Parts	Price
f50c-040	40	Peg 78'	£46.20
f50c-041	41	Security switch	£16.20
f50c-042	42	Conical gear 29	£101.60
f50c-043	43	Conical gear 14	£87.80
f50c-044	44	Separator large	£13.80
f50c-045	45	Separator short	£13.80
f50c-046	46	Switch	£9.20
f50c-047	47	Fuse holder	£7.00
f50c-048	48	Fuse	£1.20
f50c-049	49	Motor	£630.00
f50c-050	50	Network cable cover	£13.80
f50c-051	51	Network cable cover	£27.80
f50c-052	52	Motor capacitor	£41.60
f50c-053	53	Junction box	POA
f50c-054	54	Support junction box	POA
f50c-055	55	Leg	£9.20
f50c-056	56	Screw M5*10	£1.20
f50c-057	57	Washer M8	£1.40
f50c-058	58	Nut M8	£1.40
f50c-059	59	Screw M8*25	£1.20
f50c-060	60	Tooth gearing 45-4	£55.40
f50c-061	61	Tooth gearing 45-3	£55.40
f50c-062	62	Tooth gearing 60-1	£60.00
f50c-063	63	Tooth gearing 60-2	£60.00
f50c-064	64	Counter	£396.00
f50c-065	65	Counter support	POA
f50c-066	66	Machine's body	POA

Prices Plus VAT & Delivery

