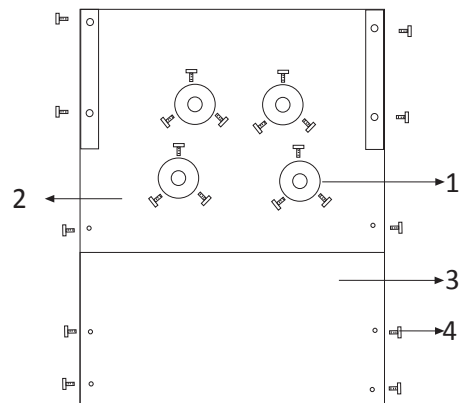
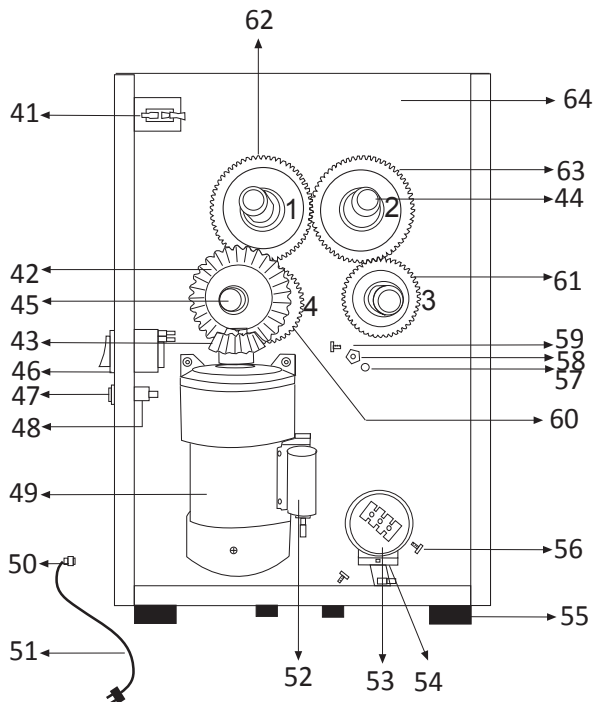
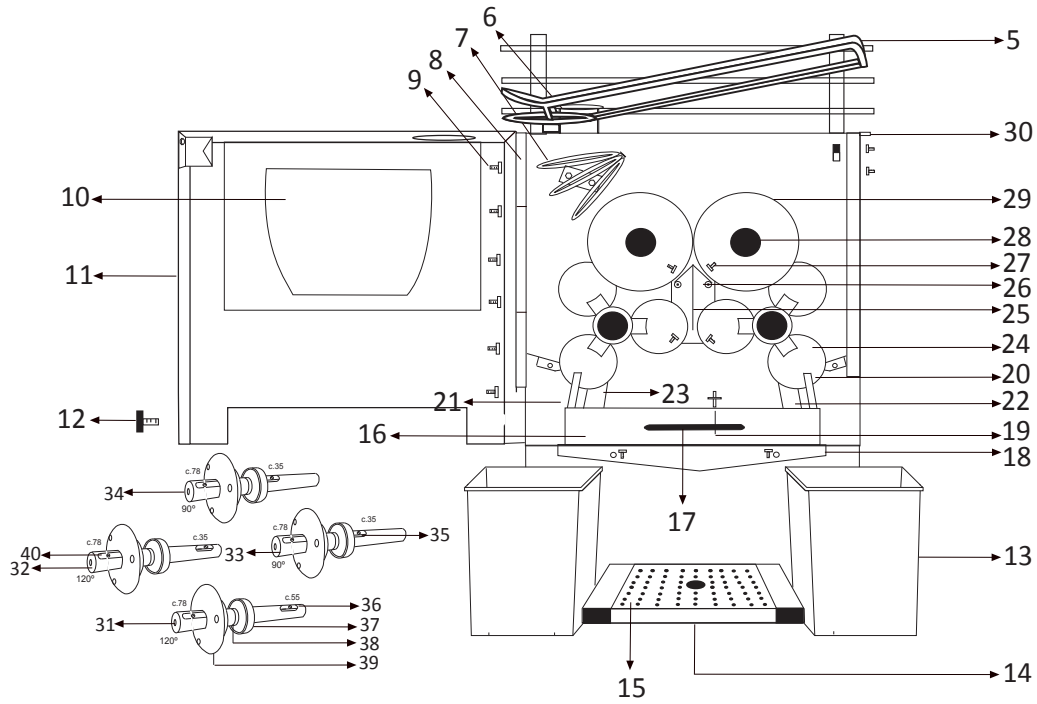


Frucosol F-50 Automatic Juicer Diagram



Frucosol F-50 Automatic Juicer Diagram

REF	NO	Frucosol F50 Automatic Juicer Spare Parts	Price
f50-001	01	Black spacer	£11.60
f50-002	02	Top case back	£150.20
f50-003	03	Under case back	£85.40
f50-004	04	Screw M5*10	£1.20
f50-005	05	Storage basket 4 kg	£115.60
f50-005g		Storage basket 10 kg	£138.60
f50-006	06	Ramp C	£92.40
f50-007	07	Ramp B	£69.40
f50-008	08	Hinge	£83.20
f50-009	09	Screw M4*10	£1.20
f50-010	10	Door glass	£37.00
f50-011	11	Front cover	£346.60
f50-011X		Front cover X	£346.60
f50-011X1		Lug X	£16.20
f50-012	12	Black screw	£9.20
f50-013	13	Plastic cube	£16.20
f50-013i		Inox cube	£104.00
f50-014	14	Tray for glasses	£46.20
f50-015	15	Grating for glasses	£57.80
f50-016	16	Filter	£83.20
f50-017	17	Filter shooter	£18.40
f50-018	18	Filter funnel	£173.20
f50-019	19	Bottom M4	£13.80
f50-020	20	Peel extractor R	£34.60
f50-021	21	Peel extractor L	£34.60
f50-022	22	Support extractor R	£27.80
f50-023	23	Support extractor I	£27.80
f50-024	24	Squeezer ball	£74.00
f50-025	25	Support cutting blade	£46.20
f50-026	26	Cutting blade	£83.20
f50-027	27	Screw M5*10	£1.20
f50-028	28	Yellow screw	£9.20
f50-029	29	Hollow item	£74.00
f50-030	30	Support front cover	£13.80
f50-031	31	Squeezer shaft 4	£106.20
f50-031X		Squeezer shaft 4 X	£173.20
f50-032	32	Squeezer shaft 3	£106.20
f50-032X		Squeezer shaft 3 X	£173.20
f50-033	33	Squeezer shaft 1	£106.20
f50-033X		Squeezer shaft 1 X	£173.20
f50-034	34	Squeezer shaft 2	£106.20



Frucosol F-50 Automatic Juicer Diagram

REF	NO	Frucosol F50 Automatic Juicer Spare Parts	Price
f50-034X		Squeezer shaft 2 X	£173.20
f50-035	35	Peg 35'	£34.60
f50-036	36	Peg 55'	£34.60
f50-037	37	Bearing of squeezer shaft	£27.80
f50-038	38	o-ring seal	£3.40
f50-39	39	Yellow space	£16.20
f50-40	40	Peg 78'	£46.20
f50-41	41	Security switch	£16.20
f50-42	42	Conical gear 29	£101.60
f50-43	43	Conical gear 14	£87.80
f50-44	44	Separator large	£13.80
f50-45	45	Separator short	£13.80
f50-46	46	Switch	£9.20
f50-47	47	Fuse holder	£7.00
f50-48	48	Fuse	£1.20
f50-49	49	Motor	£630.00
f50-49X		Motor X	£693.00
f50-049X2		Transformer X	£209.00
f50-049X3		Black Screw	£34.00
f50-049X4		Carbon brush	£16.20
f50-049X5		Iron gear	£83.20
f50-049X6		Cooper gear	£104.00
f50-049X7		Cooper gear X	£83.20
f50-049X8		Output gear X	£83.20
f50-049X9		Pin	£2.40
f50-049X10		Shaft bearing	£37.00
f50-049X11		Breaker	£46.20
f50-049X12		Output shaft X	£92.40
f50-049X13		Motor spacer X	£9.20
f50-049X14		Cooper spacer X (shaft)	£55.40
f50-049X15		Circlip X	£7.00
f50-50	50	Network cable cover	£13.80
f50-51	51	network cable	£27.80
f50-52	52	Monitor capacitor	£41.60
f50-53	53	Junction box	POA
f50-54	54	Support junction box	POA
f50-55	55	Leg	£9.20
f50-56	56	Screw M5* 10	£1.20

Prices Plus VAT & Delivery



