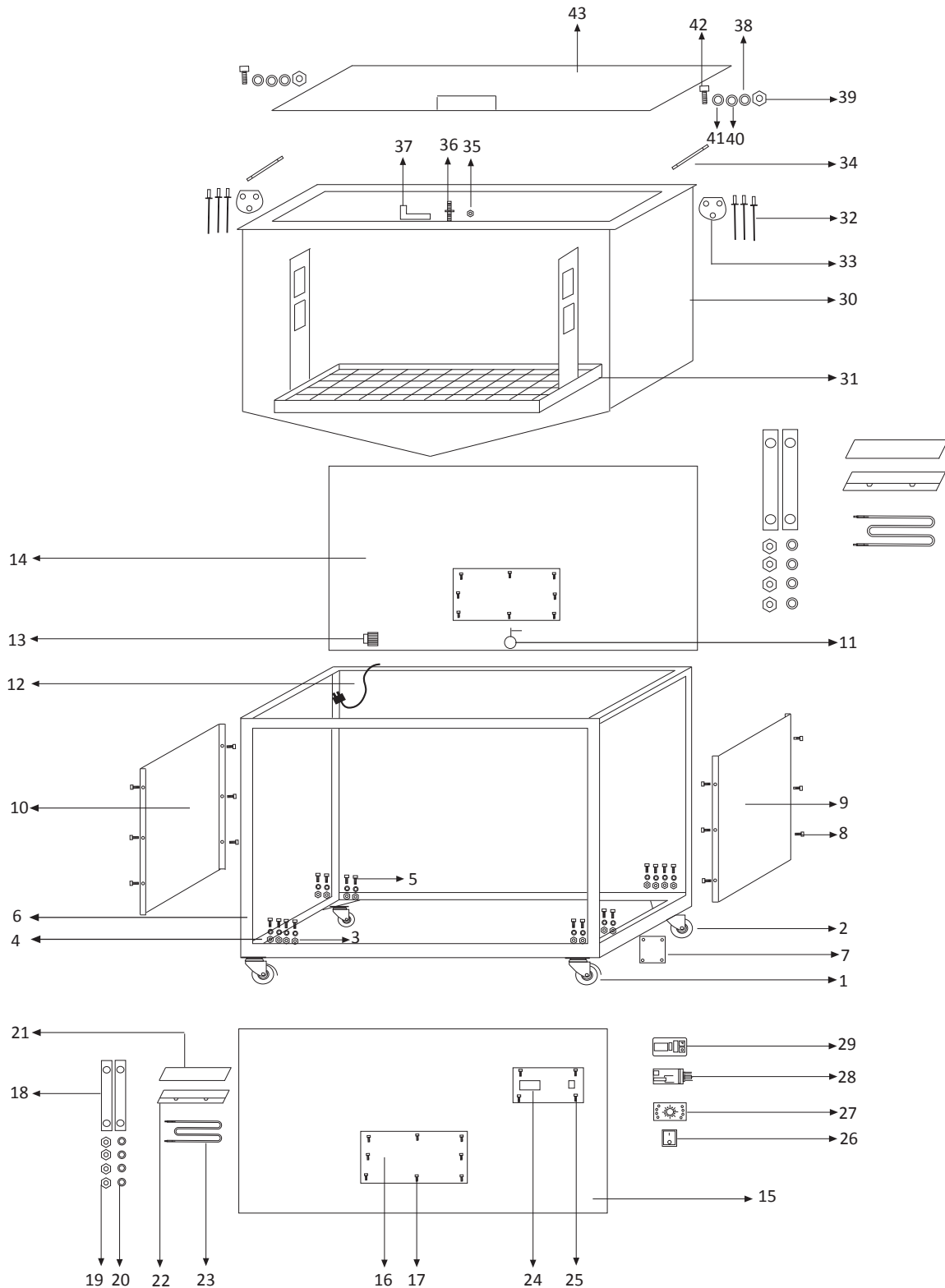


Frucosol MC-1000 Decarboniser Diagram



Frucosol MC-1000 Decarboniser Spare Parts

REF	NO	Frucosol MC-1000 Decarboniser Spare Parts	Price
mc1000-001	1	Wheel with brake	£64.60
mc1000-002	2	Wheel	£50.80
mc1000-003	3	Washer M6	£1.20
mc1000-004	4	Nut M6	£1.40
mc1000-005	5	Screw M6*10	£1.20
mc1000-006	6	Chassis	POA
mc1000-007	7	Junction box	POA
mc1000-008	8	ScrewM6*10	£11.60
mc1000-009	9	Right cover	POA
mc1000-010	10	Left cover	POA
mc1000-011	11	Drainpipe	£34.60
mc1000-012	12	Network cable	£27.80
mc1000-013	13	Network cable cover	£13.80
mc1000-014	14	Back cover	POA
mc1000-015	15	Front cover	POA
mc1000-016	16	Heating element cover	£37.00
mc1000-017	17	Screw M6*10	£1.20
mc1000-018	18	Fastener plate	£11.60
mc1000-019	19	Nut M8	£1.40
mc1000-020	20	Washer M8	£1.20
mc1000-021	21	Isolating cape	£9.20
mc1000-022	22	Fasterner heating element	£27.80
mc1000-023	23	Heating element	£151.20
mc1000-024	24	Thermostat cover	£104.00
mc1000-025	25	Screw M6*40	£1.20
mc1000-026	26	Switch	£9.20
mc1000-027	27	Base relay	£16.20
mc1000-028	28	Relay	£39.20
mc1000-029	29	Thermostat	£91.20
mc1000-029x		Thermostat X	£80.80
mc1000-029x1		Green light X	£69.40
mc1000-029x2		Red light X	£69.40
mc1000-030	30	Tank	POA
mc1000-031	31	Basket	£369.60
mc1000-032	32	Rivet	£1.20
mc1000-033	33	Bumper support	£13.80
mc1000-034	34	Bumper	£110.80
mc1000-035	35	Washer M8	£1.20
mc1000-036	36	Coiled rivet M8	POA
mc1000-037	37	Closer tip	£37.00
mc1000-038	38	Washer M8	£1.20
mc1000-039	39	Nut M8	£1.40
mc1000-040	40	Washer M8	£1.20
mc1000-041	41	Washer M8	£1.40
mc1000-042	42	Screw M8*25	£1.20
mc1000-043	43	Cover	POA

