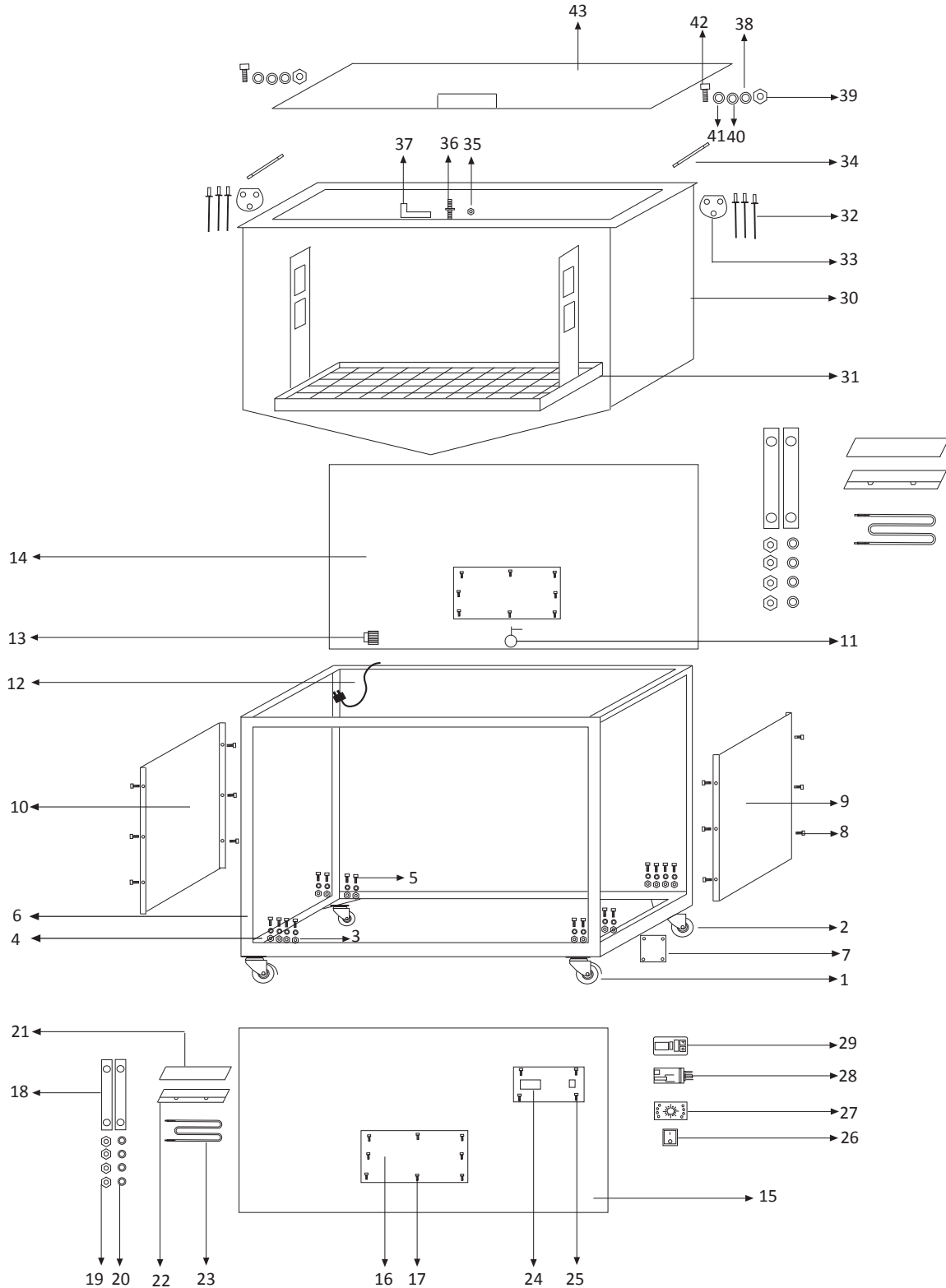


Frucosol MC-2000 Decarboniser Diagram



Frucosol MC-2000 Decarboniser Spare Parts

REF	NO	Frucosol MC-2000 Decarboniser Spare Parts	Price
mc2000-001	1	Wheel with brake	£64.60
mc2000-002	2	Wheel	£50.80
mc2000-003	3	Washer M6	£1.20
mc2000-004	4	Nut M6	£1.40
mc2000-005	5	Screw M6*10	£1.20
mc2000-006	6	Chassis	POA
mc2000-007	7	Junction box	POA
mc2000-008	8	ScrewM6*10	£1.20
mc2000-009	9	Right cover	POA
mc2000-010	10	Left cover	POA
mc2000-011	11	Drainpipe	POA
mc2000-012	12	Network cable	£27.80
mc2000-013	13	Network cable cover	£13.80
mc2000-014	14	Back cover	POA
mc2000-015	15	Front cover	POA
mc2000-016	16	Heating element cover	£37.00
mc2000-017	17	Screw M6*10	£1.20
mc2000-018	18	Fastener plate	£11.60
mc2000-019	19	Nut M6	£1.40
mc2000-020	20	Washer M6	£1.20
mc2000-021	21	Isolating cape	£9.20
mc2000-022	22	Fastener heating element	£27.80
mc2000-023	23	Heating element	£151.20
mc2000-024	24	Thermostat cover	£104.00
mc2000-025	25	Screw M6*40	£1.20
mc2000-026	26	Switch	£9.20
mc2000-027	27	Base relay	£16.20
mc2000-028	28	Relay	£39.20
mc2000-029	29	Thermostat	£91.20
mc2000-030	30	Tank	POA
mc2000-031	31	Basket	£369.60
mc2000-032	32	Rivet	£1.20
mc2000-033	33	Bumper support	POA
mc2000-034	34	Bumper	£110.80
mc2000-035	35	Washer M8	£1.20
mc2000-036	36	Coiled rivet M8	POA
mc2000-037	37	Closer tip	POA
mc2000-038	38	Washer M8	£1.20
mc2000-039	39	Nut M8	£1.40
mc2000-040	40	Washer M8	£1.20
mc2000-041	41	Washer M8	£1.20
mc2000-042	42	Screw M8*25	£1.20
mc2000-043	43	Cover	POA

