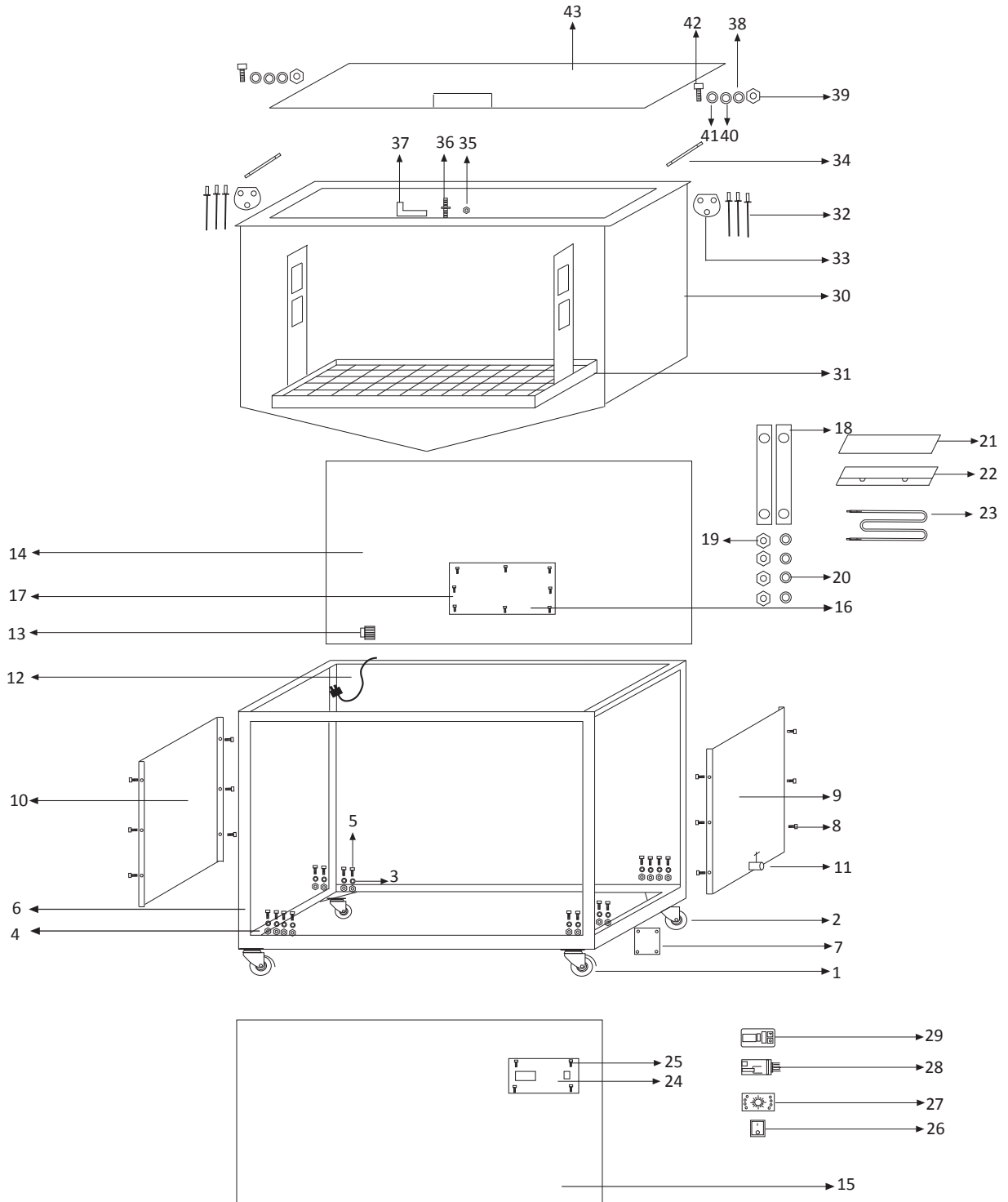


Frucosol MC-500 Decarboniser Diagram



Frucosol Freezer Automatic Juicer Diagram

REF	NO	Frucosol MC-500 Decarboniser Spare Parts	Price
mc500-001	1	Wheel with brake	£64.60
mc500-002	2	Wheel	£50.80
mc500-003	3	Washer M6	£1.20
mc500-004	4	Nut M6	£1.40
mc500-005	5	Screw M6*10	£1.20
mc500-006	6	Chassis	POA
mc500-007	7	Junction box	POA
mc500-008	8	ScrewM6*10	£1.20
mc500-009	9	Right cover	POA
mc500-010	10	Left cover	POA
mc500-011	11	Drainpipe	POA
mc500-012	12	Network cable	£27.80
mc500-013	13	Network cable cover	£13.80
mc500-014	14	Back cover	POA
mc500-015	15	Front cover	POA
mc500-016	16	Heating element cover	£37.00
mc500-017	17	Screw M6*10	£1.20
mc500-018	18	Fastener plate	£11.60
mc500-019	19	Nut M8	£1.40
mc500-020	20	Washer M8	£1.20
mc500-021	21	Isolating cape	£9.20
mc500-022	22	Fastener heating element	£27.80
mc500-023	23	Heating element	£151.20
mc500-024	24	Thermostat cover	£104.00
mc500-025	25	Screw M6*40	£1.20
mc500-026	26	Switch	£9.20
mc500-027	27	Base relay	£16.20
mc500-028	28	Relay	£39.20
mc500-029	29	Thermostat	£91.20
mc500-029x		Thermostat X	£80.80
mc500-029x1		Green light X	£69.40
mc500-029x2		Red light X	£69.40
mc500-030	30	Tank	POA
mc500-031	31	Basket	£369.00
mc500-032	32	Rivet	£1.20
mc500-033	33	Bumper support	POA
mc500-034	34	Bumper	£110.80
mc500-035	35	Washer M8	£1.20
mc500-036	36	Coiled rivet M8	POA
mc500-037	37	Closer tip	POA
mc500-038	38	Washer M8	£1.20
mc500-039	39	Nut M8	£1.40
mc500-040	40	Washer M8	£1.20
mc500-041	41	Washer M8	£1.20
mc500-042	42	Screw M8*25	£1.20
mc500-043	43	Cover	POA

