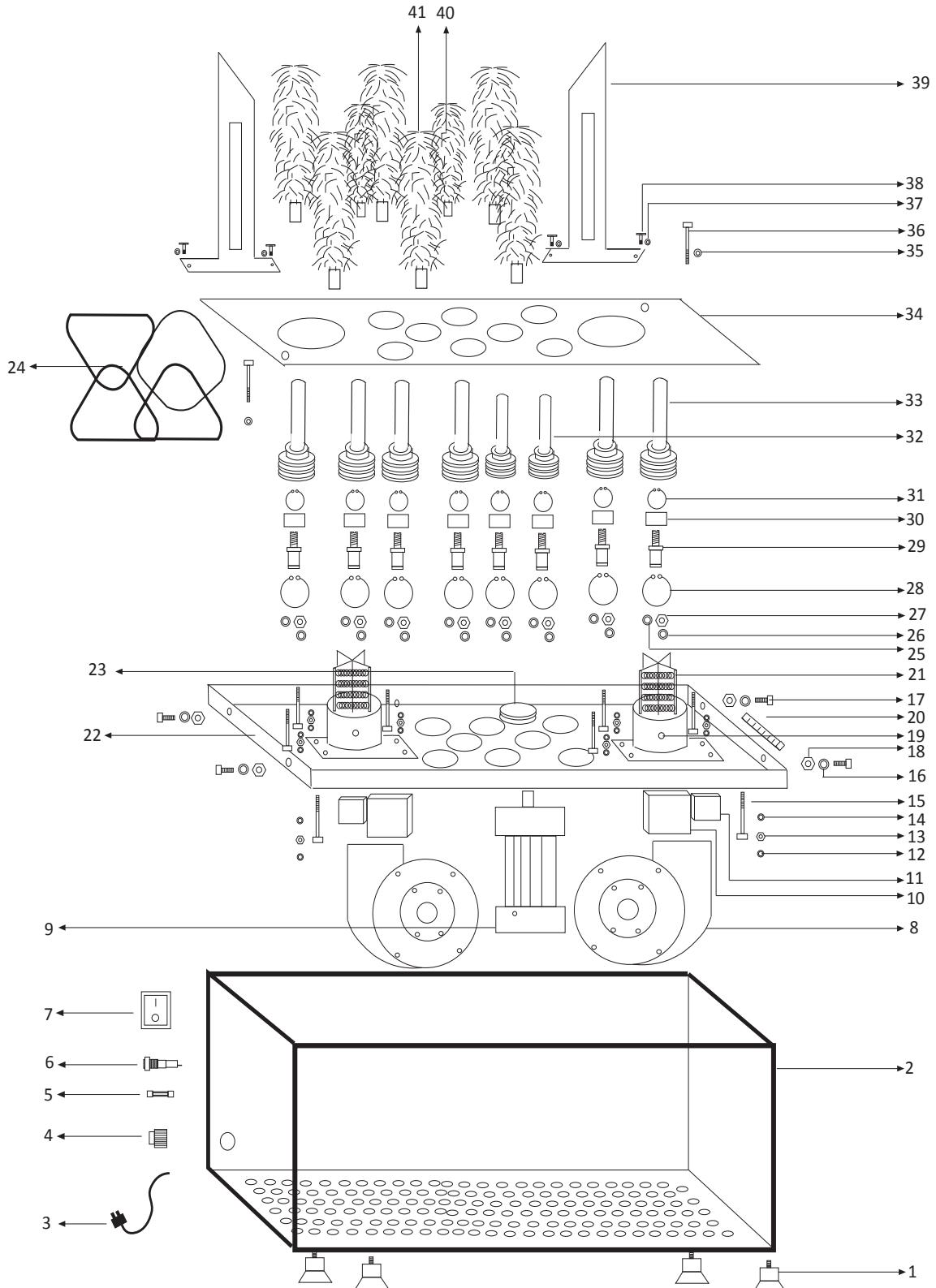


Frucosol SV-2000 Glass Dryer & Polisher Diagram



Frucosol SV-2000 Cutlery Dryer & Polisher Diagram

REF	NO	Frucosol SV-2000 Cutlery Dryer & Polisher	Price
sv2000-001	1	Rubber foot	£13.80
sv2000-002	2	Lower cover	POA
sv2000-003	3	Network cable	£27.80
sv2000-004	4	Network cable cover	£13.80
sv2000-005	5	Fuse	£1.20
sv2000-006	6	Fuse holder	£7.00
sv2000-007	7	Switch	£9.20
sv2000-008	8	Fan	£138.60
sv2000-009	9	Motor	£504.00
sv2000-010	10	Motor capacitor	£46.20
sv2000-011	11	Fan capacitor	£46.20
sv2000-012	12	Grower washer M4	£1.40
sv2000-013	13	Nut M4	£1.40
sv2000-014	14	Washer M4	£1.20
sv2000-015	15	Screw M4*25	£1.20
sv2000-016	16	Washer M5	£1.20
sv2000-017	17	Screw M5*10	£1.20
sv2000-018	18	Nut M5	£1.40
sv2000-019	19	Heating element cover	£37.00
sv2000-020	20	Junction box	POA
sv2000-021	21	Heating element	£151.20
sv2000-022	22	Lower cover lid	POA
sv2000-023	23	Single channel pulley	£41.60
sv2000-024	24	Dragging belt	£110.80
sv2000-025	25	Washer M10	£1.20
sv2000-026	26	Grower washer M10	£1.40
sv2000-027	27	Nut M10	£1.40
sv2000-028	28	Clip B	£7.00
sv2000-029	29	Coiled rivet	£41.60
sv2000-030	30	Bearing	£32.40
sv2000-031	31	Clip A	£7.00
sv2000-032	32	Double channel pulley A	£55.40
sv2000-033	33	Double channel pulley B	£55.40
sv2000-034	34	Upper lid	POA
sv2000-035	35	Washer M4	£1.20
sv2000-036	36	Screw M4*40	£1.20
sv2000-037	37	Washer M4	£1.20
sv2000-038	38	Screw M4*10	£1.20
sv2000-039	39	Air tube	POA
sv2000-040	40	Brush A	£50.80



Frucosol SV-2000 Cutlery Dryer & Polisher Diagram

REF	NO	Frucosol SV-2000 Cutlery Dryer & Polisher	Price
sv2000-041	41	Brush B	£50.80
sv2000-041ef		Superfine brush	£50.80