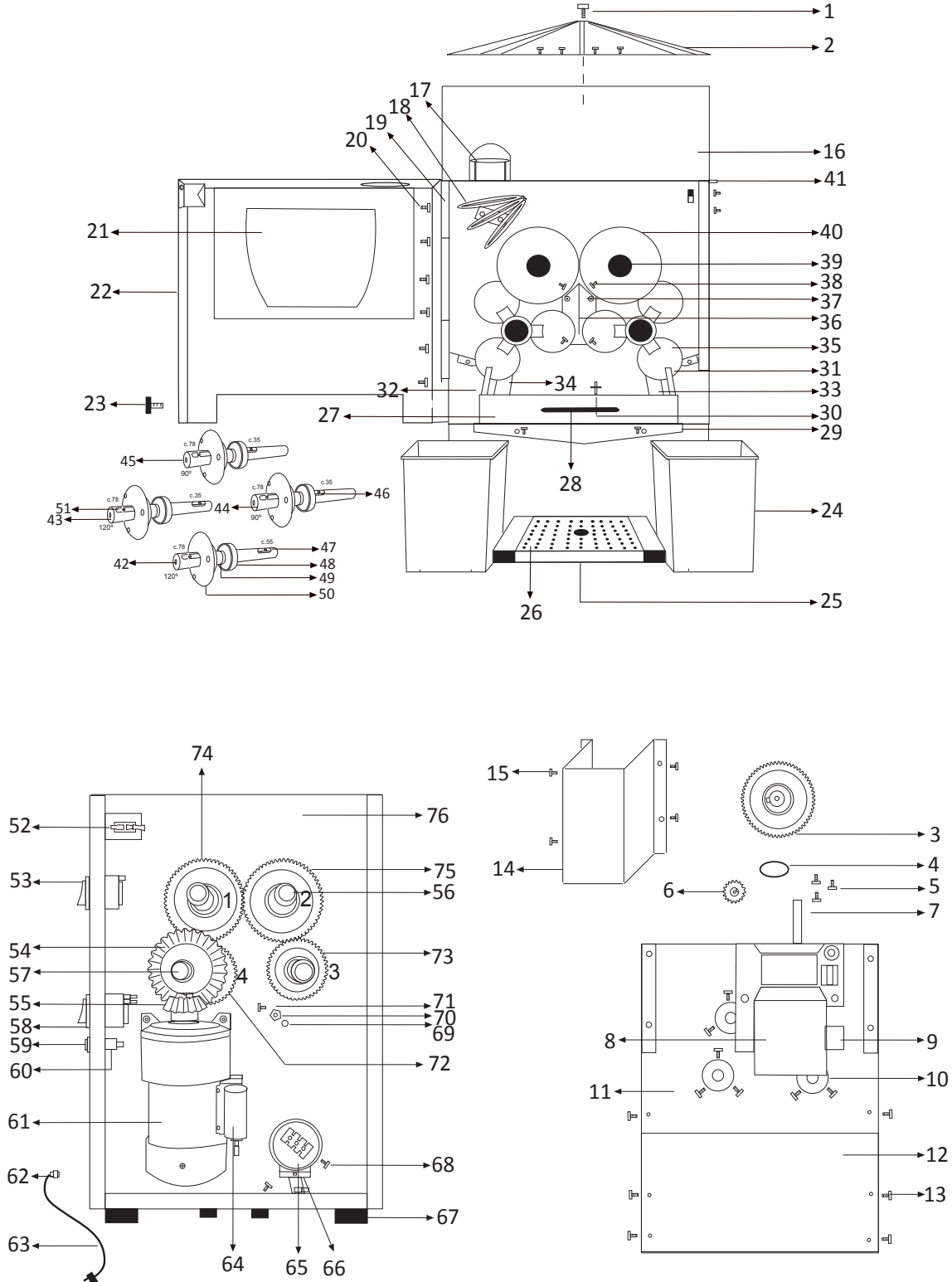


Frucosol F-50 A Automatic Juicer Diagram



Frucosol F-50A Automatic Juicer Diagram

REF	NO	Frucosol F50A Automatic Juicer Spare Parts	Price
f50a-001	1	Black screw	£9.20
f50a-002	2	Turntable	£288.80
f50a-003	3	Tooth gearing 60	£60.00
f50a-004	4	Black cut spacer	£11.60
f50a-005	5	Screw M5*8	£1.20
f50a-006	6	Inox gearing 18	£83.20
f50a-007	7	Feeder shaft with peg	£83.20
f50a-008	8	Feeder motor	£630.00
f50a-008X		Feeder motor X	£403.20
f50a-008X1		Transformer of the feeder X	£138.60
f50a-009	9	Feeder capacitor	£41.60
f50a-010	10	Black spacer	£9.20
f50a-011	11	Top case black	£150.20
1f50a-012	12	Under case black	£85.40
f50a-013	13	Screw M5*10	£1.20
f50a-014	14	Feeder motor cover	£85.40
f50a-015	15	Screw M5*10	£1.20
f50a-016	16	Feeder	£1,732.60
f50a-017	17	Ramp A	£69.40
f50a-018	18	Ramp B	£69.40
f50a-019	19	Hinge	£83.20
f50a-020	20	Screw M4*10	£1.20
f50a-021	21	Door glass	£37.00
f50a-022	22	Front cover	£346.60
f50a-022X		Front cover X	£346.60
f50a-022X1-		Lux X	£16.20
f50a-023	23	Black screw	£9.20
f50a-024	24	Plastic cube	£16.20
f50a-024X-		Inox cube	£104.00
f50a-025	25	Tray for glasses	£46.20
f50a-026	26	Grating for glasses	£57.80
f50a-027	27	Filter	£83.20
f50a-028	28	Filter shooter	£18.40
f50a-029	29	Filter funnel	£173.20
f50a-030	30	Bottom M4	£13.80
f50a-031	31	Peel extractor R	£34.60
f50a-032	32	Peel extractor L	£34.60
f50a-033	33	Support extractor R	£27.80
f50a-034	34	Support extractor L	£27.80
f50a-035	35	Squeezer ball	£74.00
f50a-036	36	Support cutting blade	£46.20
f50a-037	37	Cutting blade	£83.20
f50a-038	38	Scew M5*10	£1.20
f50a-039	39	Yellow screw	£9.20
f50a-040	40	Hollow item	£74.00
f50a-041	41	Support front cover	£13.80



Frucosol F-50A Automatic Juicer Diagram

REF	NO	Frucosol F50A Automatic Juicer Spare Parts	Price
f50a-042	42	Squeezer shaft 4	£106.20
f50a-043	43	Squeezer shaft 3	£106.20
f50a-044	44	Squeezer shaft 1	£106.20
f50a-045	45	Squeezer shaft 2	£106.20
f50a-046	46	Peg 35'	£34.60
f50a-047	47	Peg 55'	£34.60
f50a-048	48	Bearing of squeezer shaft	£27.80
f50a-049	49	O-ring seal	£3.40
f50a-050	50	Yellow spacer	£16.20
f50a-051	51	Peg 78'	£46.20
f50a-052	52	Security switch	£16.20
f50a-053	53	Feeder's switch	£9.20
f50a-054	54	Conical gear 29	£101.60
f50a-055	55	Conical gear 14	£87.80
f50a-056	56	Separator large	£13.80
f50a-057	57	Separator short	£13.80
f50a-058	58	Switch	£9.20
f50a-059	59	Fuse holder	£7.00
f50a-060	60	Fuse	£1.20
f50a-061	61	Motor	£630.00
f50a-061X		Motor X	£693.00
f50a-061X2		Transformer X	£219.40
f50a-061X3		Transformer rectifier X	£32.40
f50a-061X4		Carbon brush X	£16.20
f50a-061X5		Iron gear X	£83.20
f50a-061X6		External iron gear X	£97.00
f50a-061X7		Cooper gear X	£104.00
f50a-061X8		Output gear 14	£83.20
f50a-061X9		Pin	£1.00
f50a-061X10		Shaft bearing	£37.00
f50a-061X11		Breaker	£46.20
f50a-061X12		Output shaft X	£92.40
f50a-062	62	Network cable cover	£13.80
f50a-063	63	Network cable	£27.80
f50a-064	64	Motor capacitor	£41.60
f50a-065	65	Junction box	POA
f50a-066	66	Support junction box	POA
f50a-067	67	Leg	£9.20
f50a-068	68	Screw M5*10	£1.20
f50a-069	69	Washer M8	£1.40
f50a-070	70	Nut M8	£1.40
f50a-071	71	Screw M8*25	£1.20
f50a-072	72	Tooth gearing 45-4	£55.40

Prices Plus VAT & Delivery



